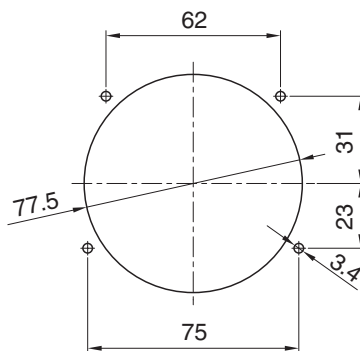
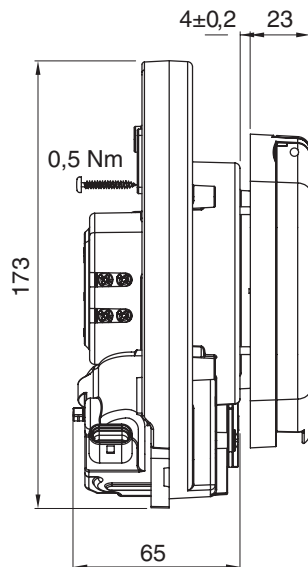
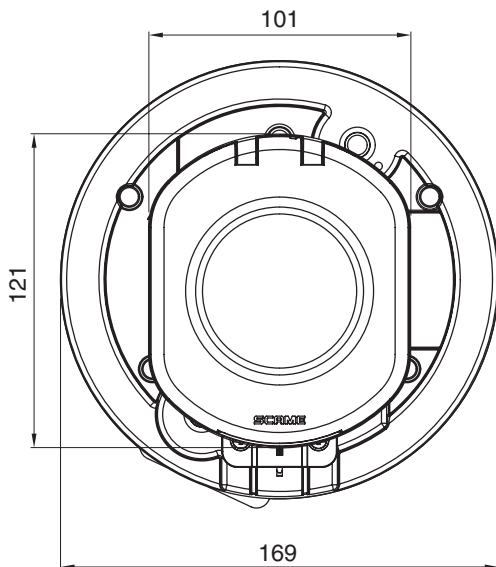


200.23264B

DRILLING TEMPLATE



InfoTECH

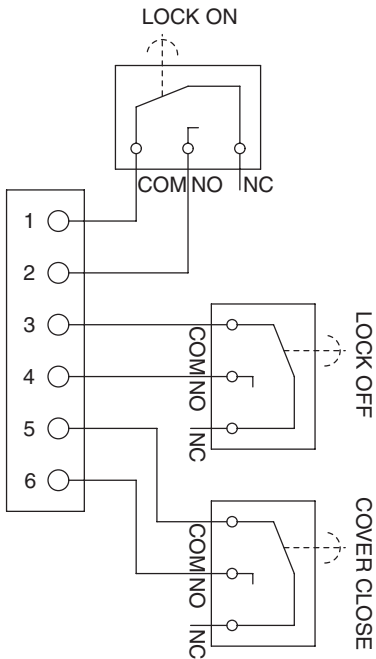
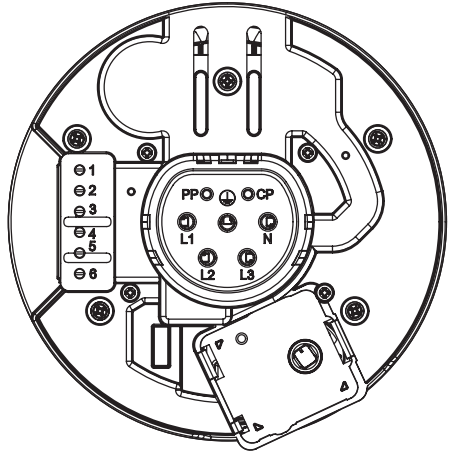
ITALY	WORLDWIDE
Numero Verde	ScameOnLine
<b>800-018009</b>	www.scame.com
	infotech@scame.com

(dimension in mm)

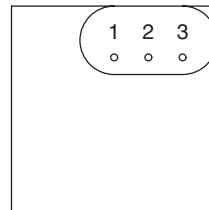
200.23264B

Description	A (mm)	Cross section (mm <sup>2</sup> )	Torque Nm
L1	19	2,5-10	1,2
L2	19	2,5-10	1,2
L3	19	2,5-10	1,2
N	19	2,5-10	1,2
⊕	19	2,5-10	1,2
CP	11	0,75-1,5	0,4
PP	11	0,75-1,5	0,4
1÷6	7	0,75-2,5	0,4

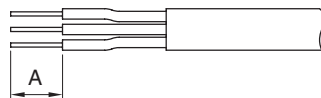
WIRING DIAGRAM



1S FEED TIME



	1	3	Voltage
Lock on	-	+	12Vdc
Lock off	+	-	12Vdc



(dimension in mm)